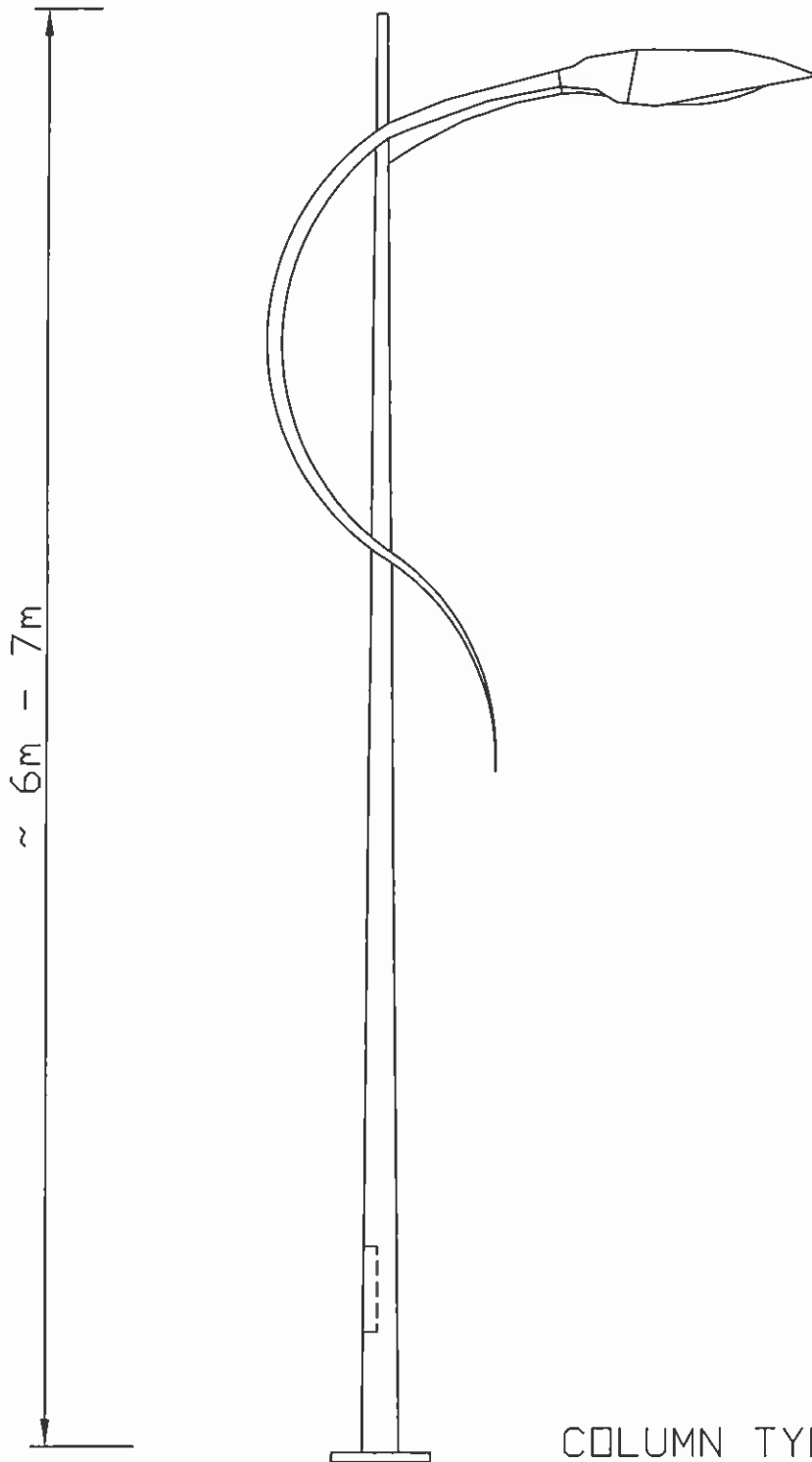
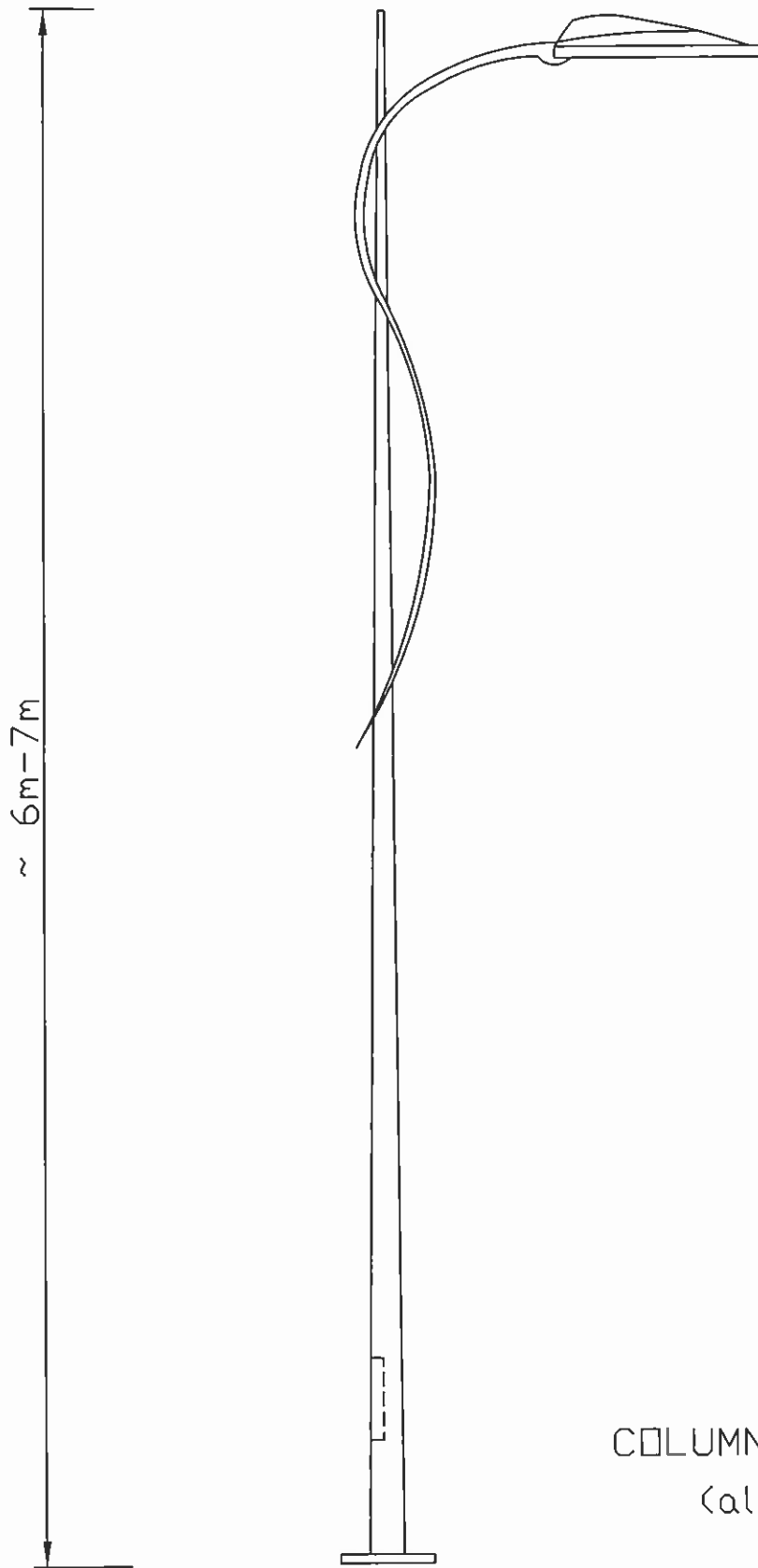


Drawing No 1



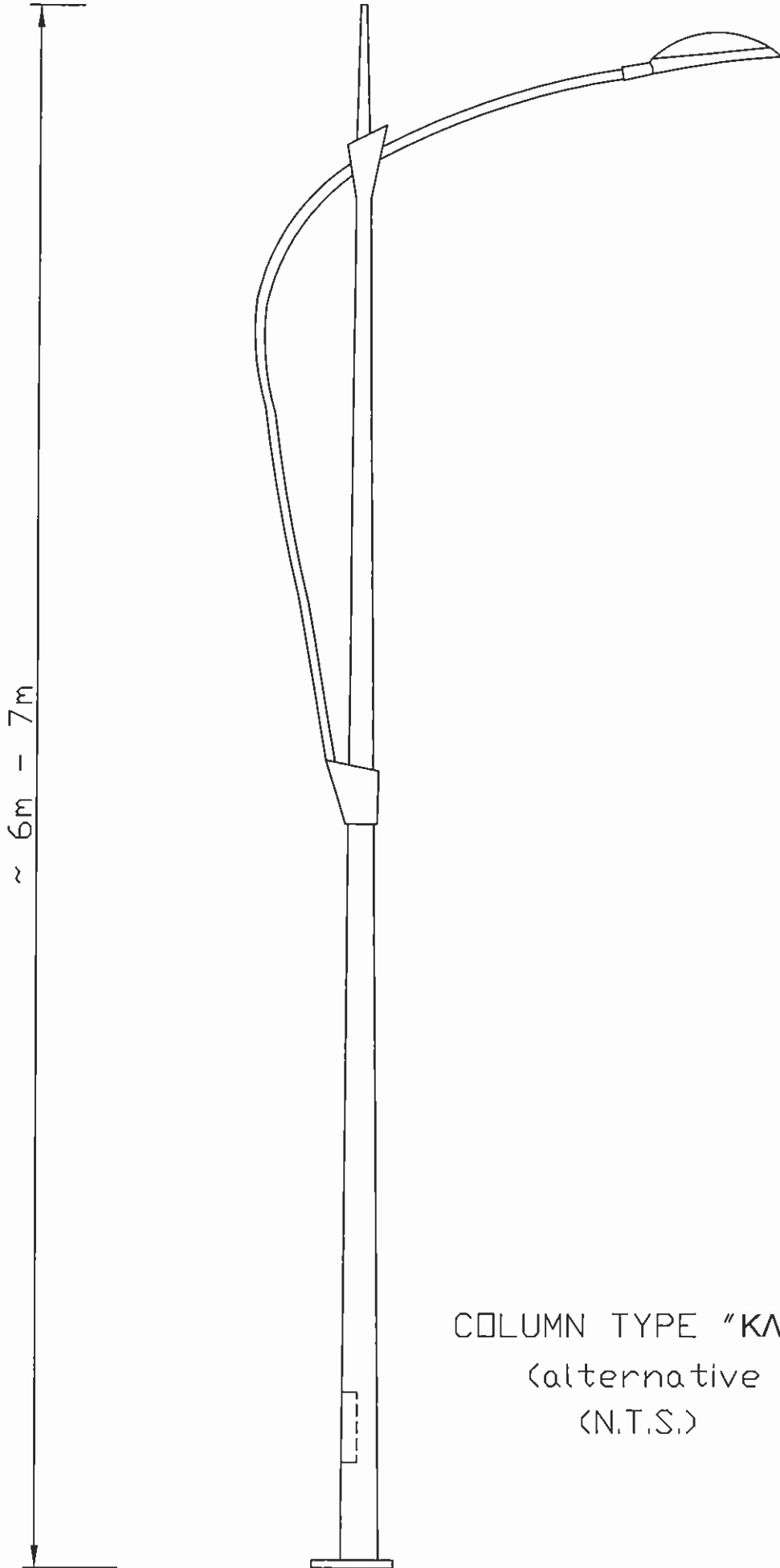
COLUMN TYPE "KA" (single)
(alternative 1)
(N.T.S.)

Drawing No 1



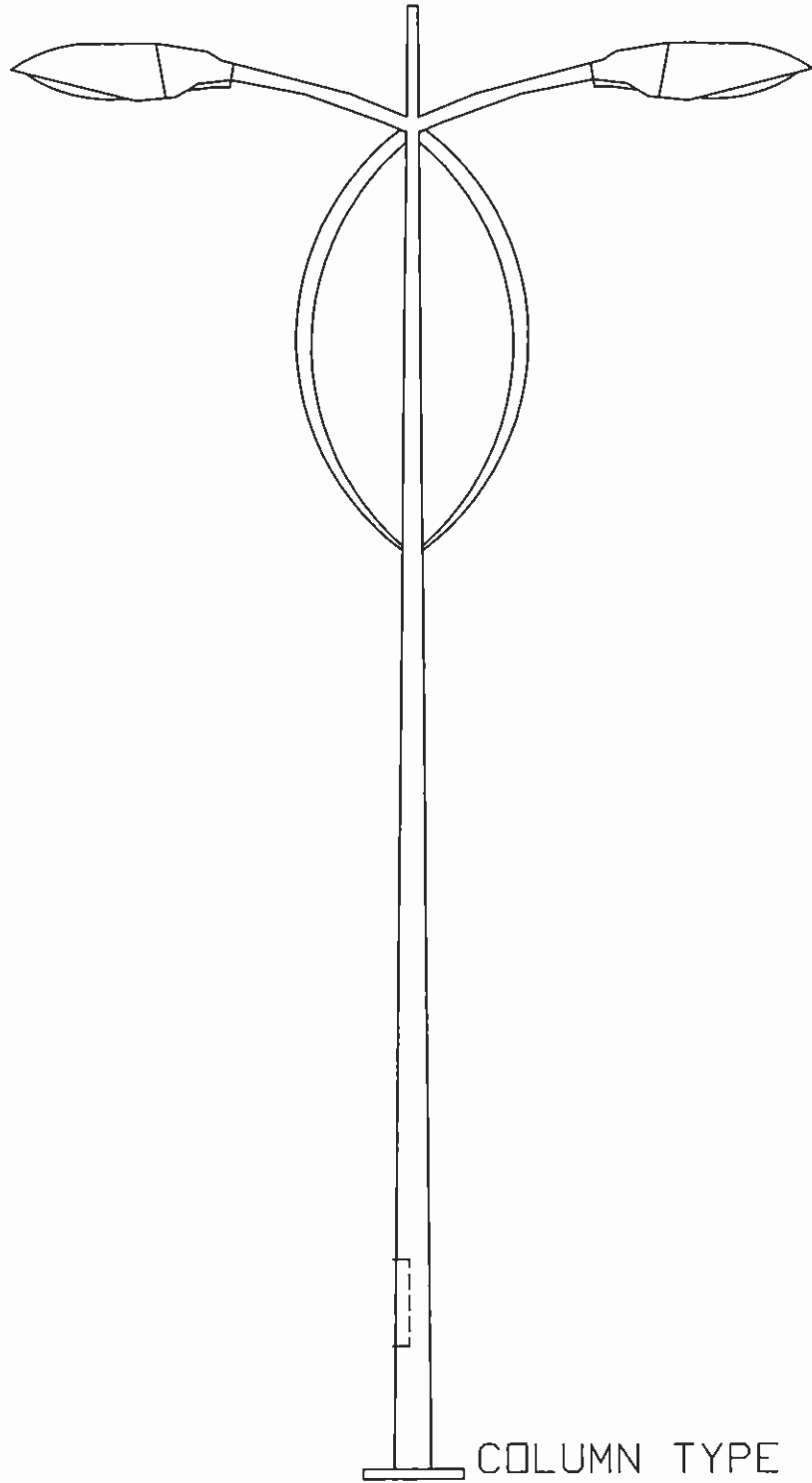
COLUMN TYPE "KA" (single)
(alternative 2)
(N.T.S.)

Drawing No 1



COLUMN TYPE "KA" (double)
(alternative 3)
(N.T.S.)

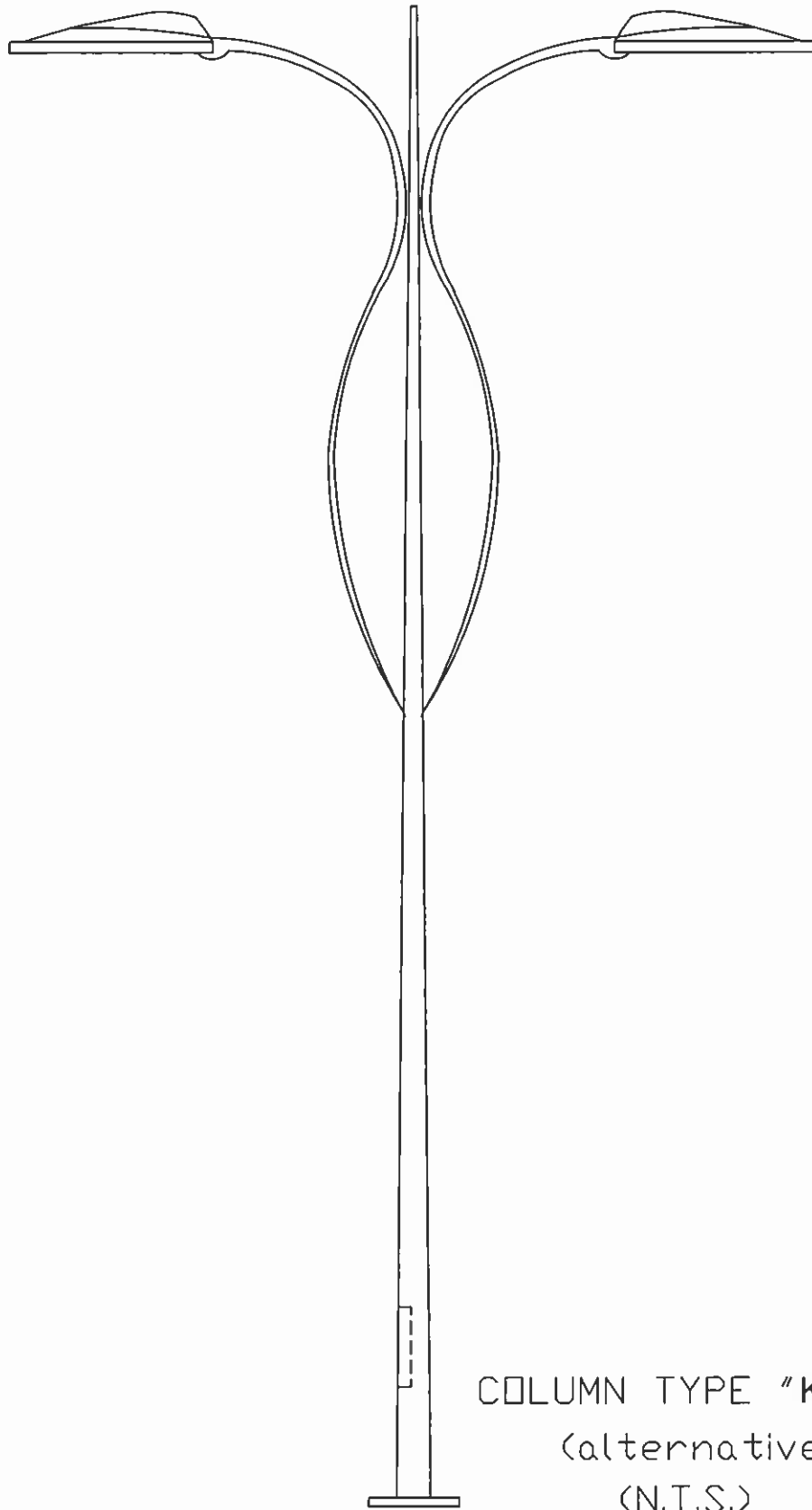
Drawing No 2



COLUMN TYPE "KA" (double
(alternative 1)
(N.T.S.)

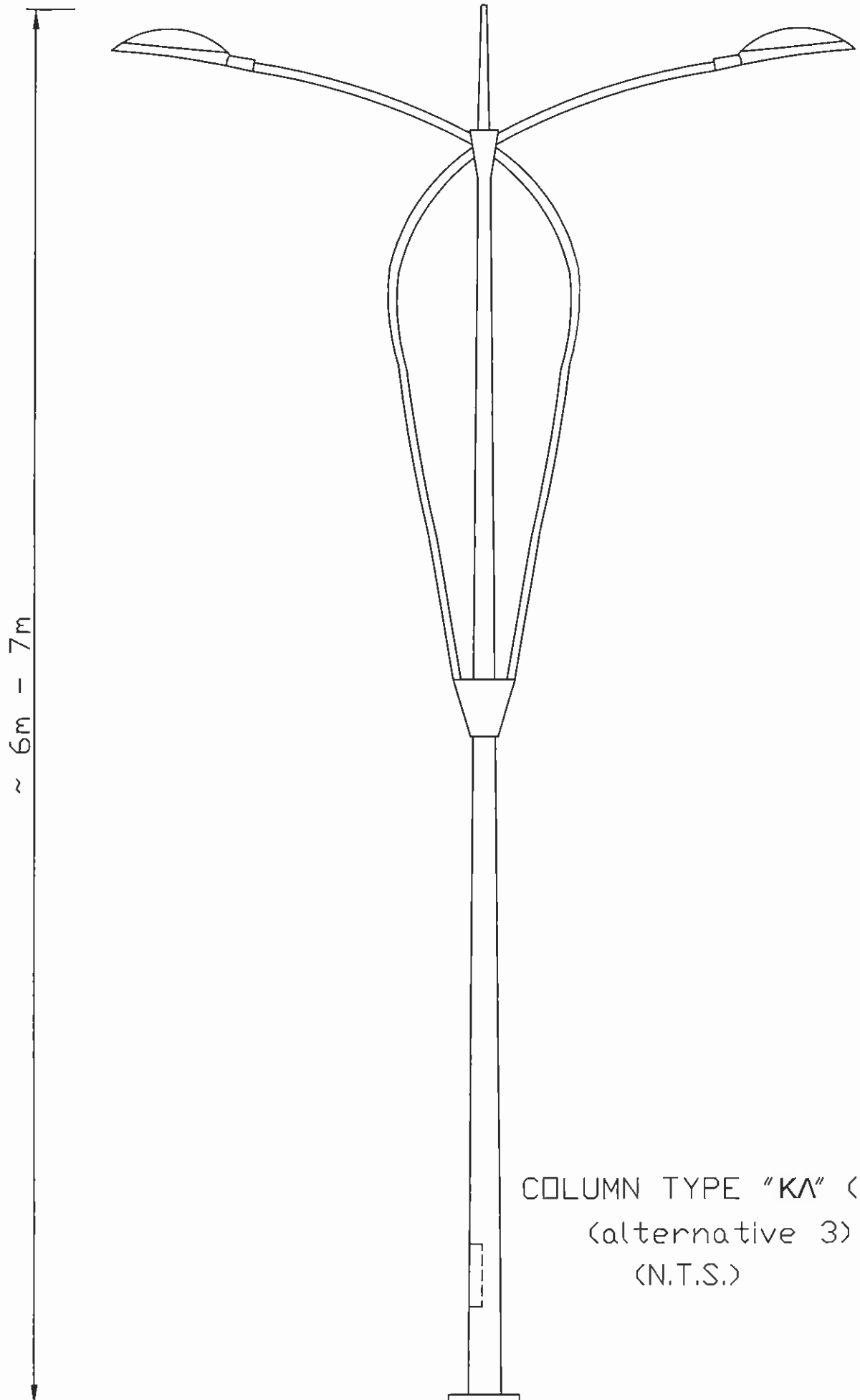
Drawing No 2

~ 6m-7m



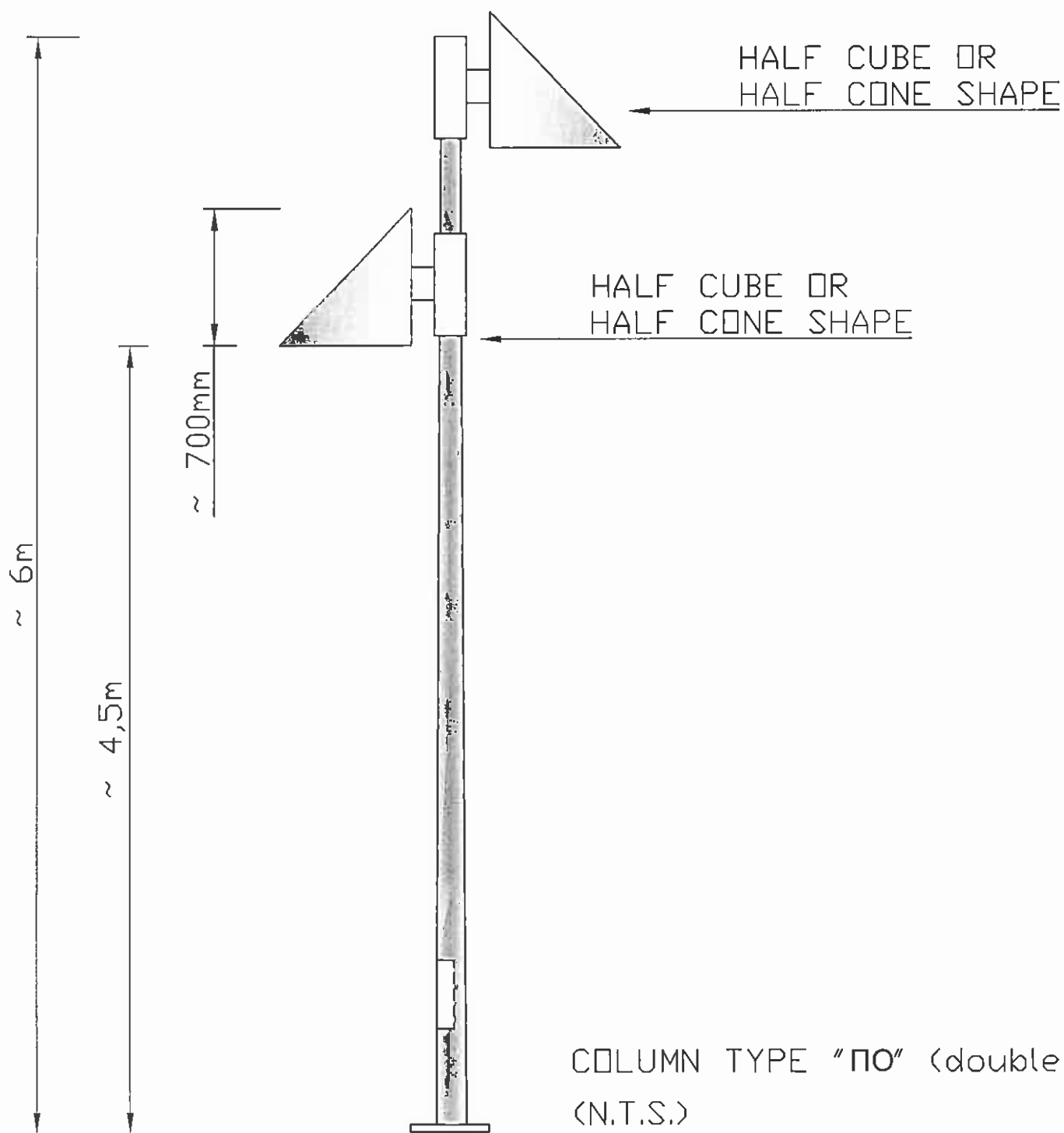
COLUMN TYPE "KA" (double
(alternative 2)
(N.T.S.)

Drawing No 2

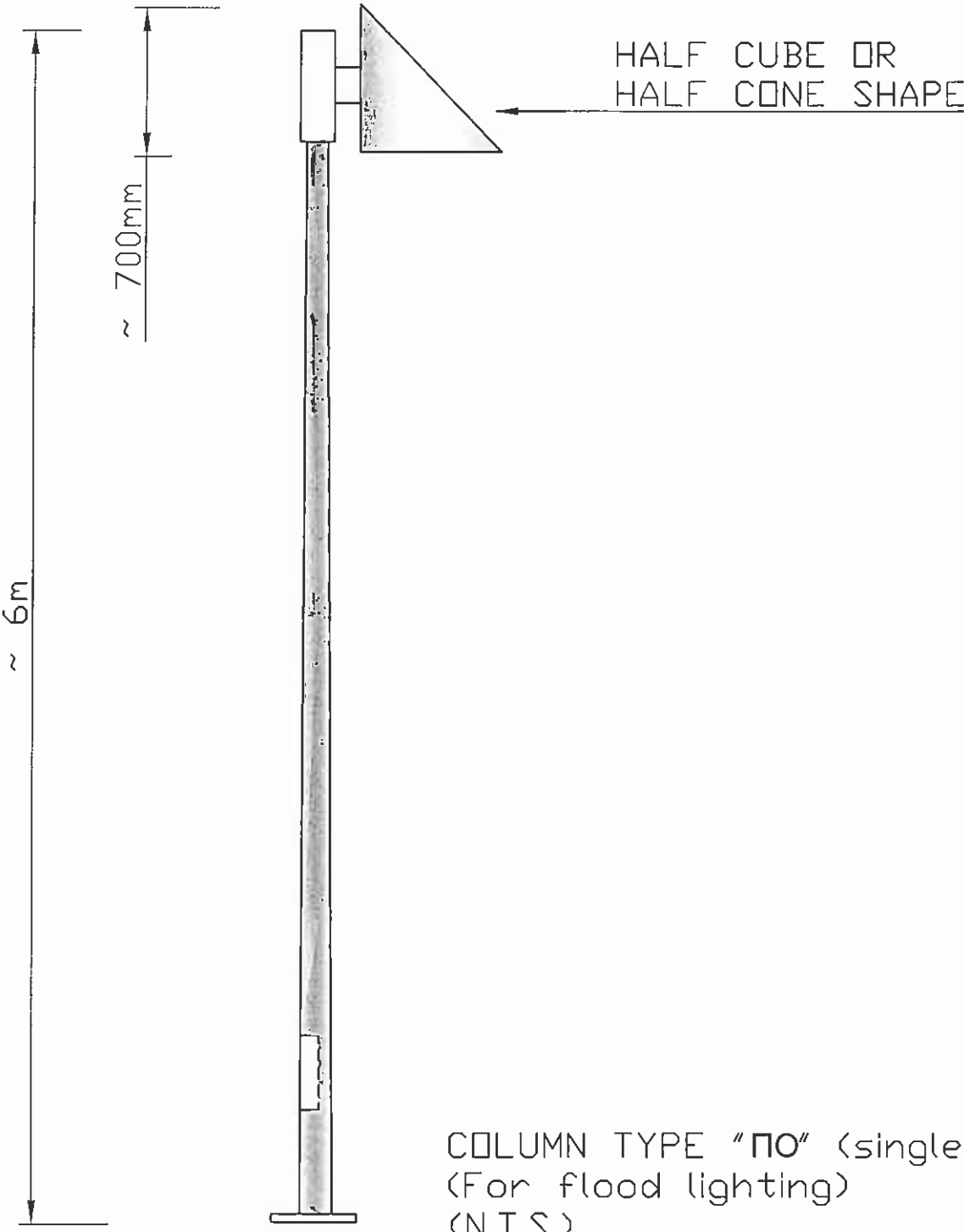


COLUMN TYPE "KA" (double)
(alternative 3)
(N.T.S.)

Drawing No 3

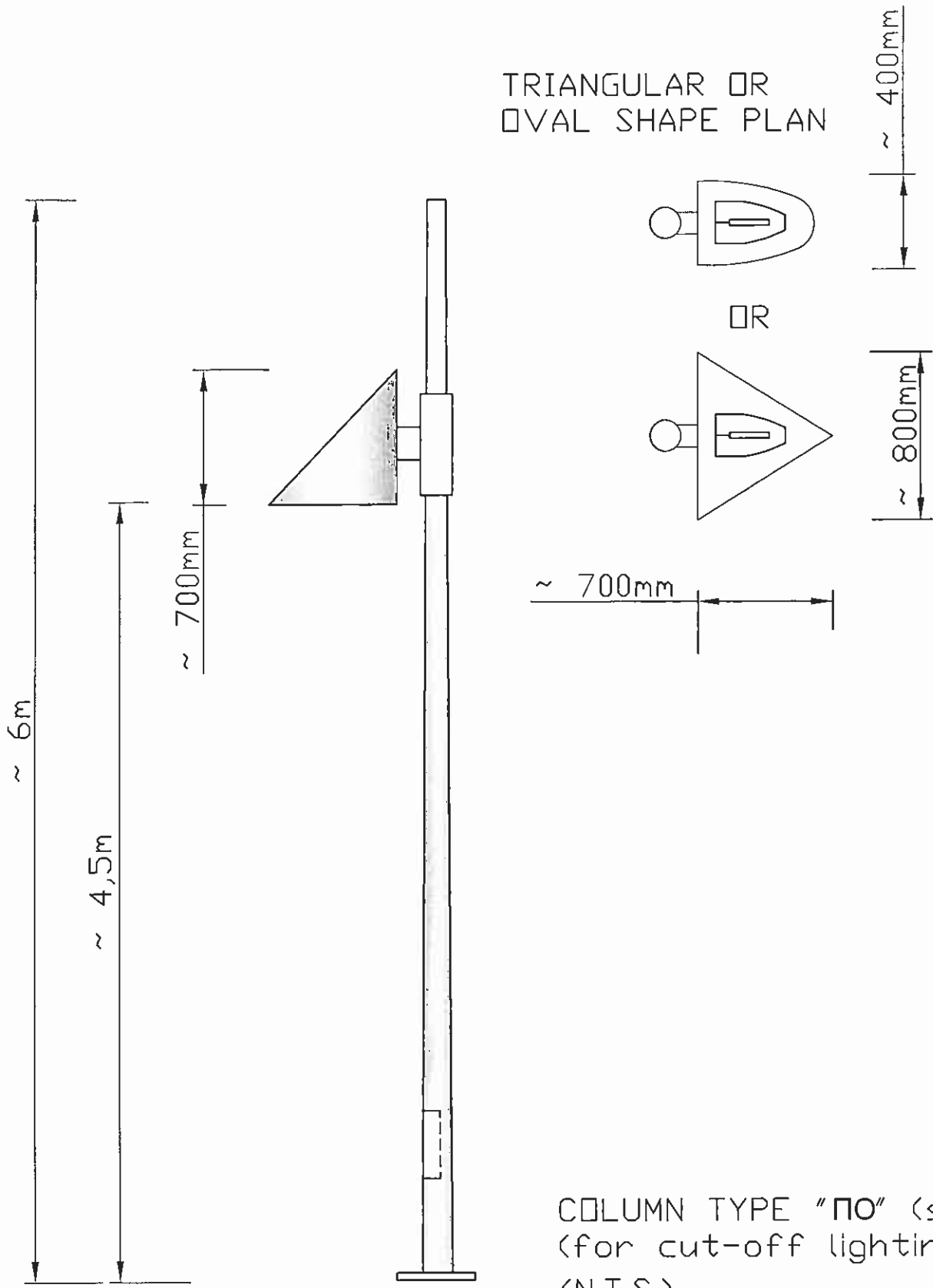


Drawing No 4



COLUMN TYPE "ΠΟ" (single)
(For flood lighting)
(N.T.S.)

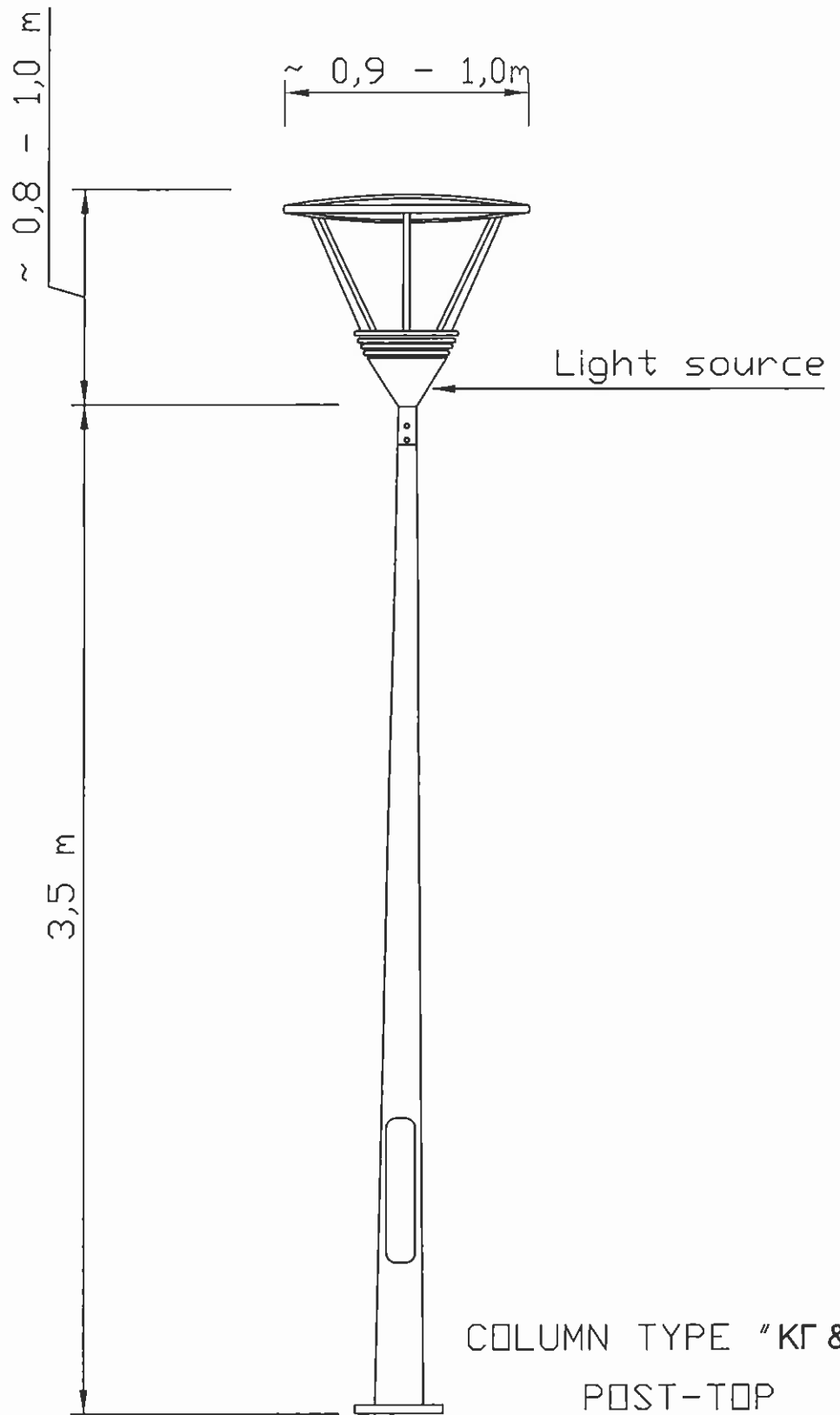
Drawing No 5



TRIANGULAR OR
OVAL SHAPE PLAN

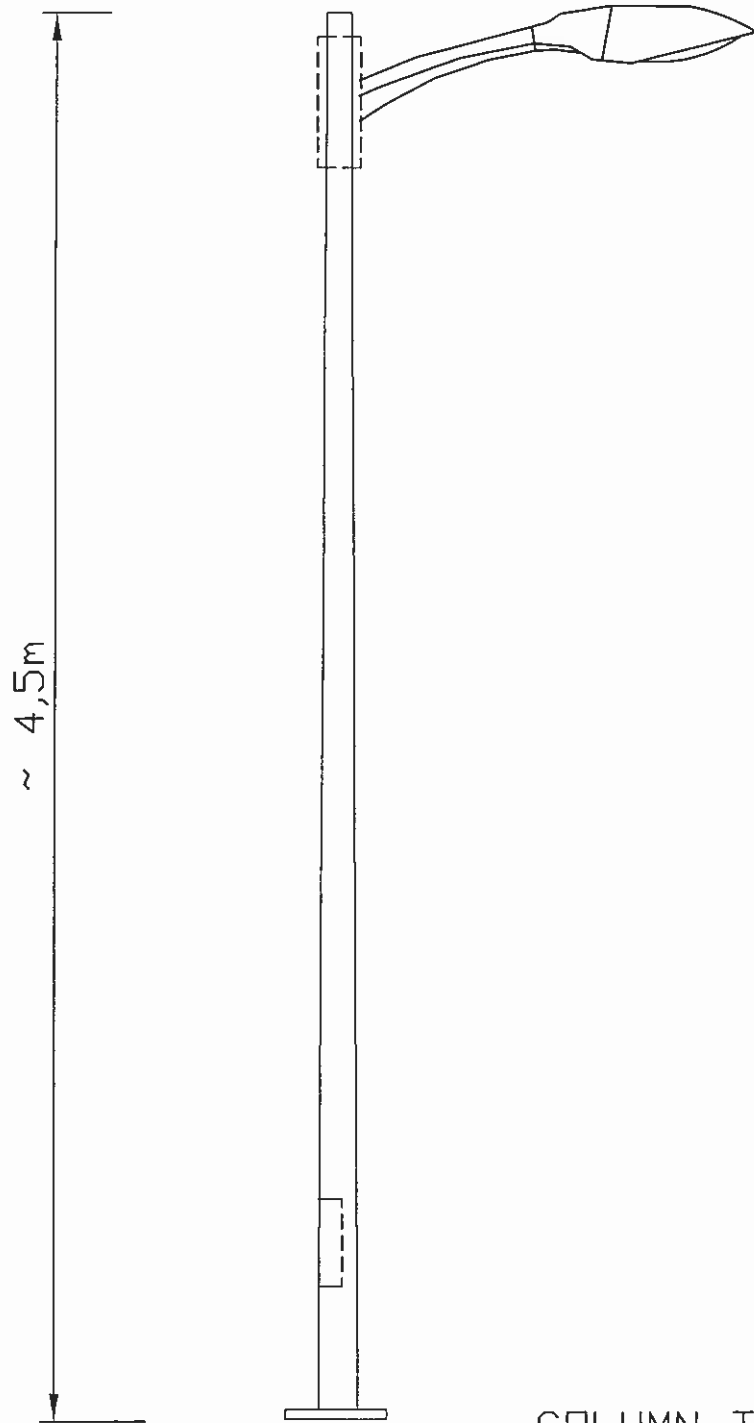
COLUMN TYPE "ΠΟ" (single)
(for cut-off lighting)
(N.T.S.)

Drawing No 6



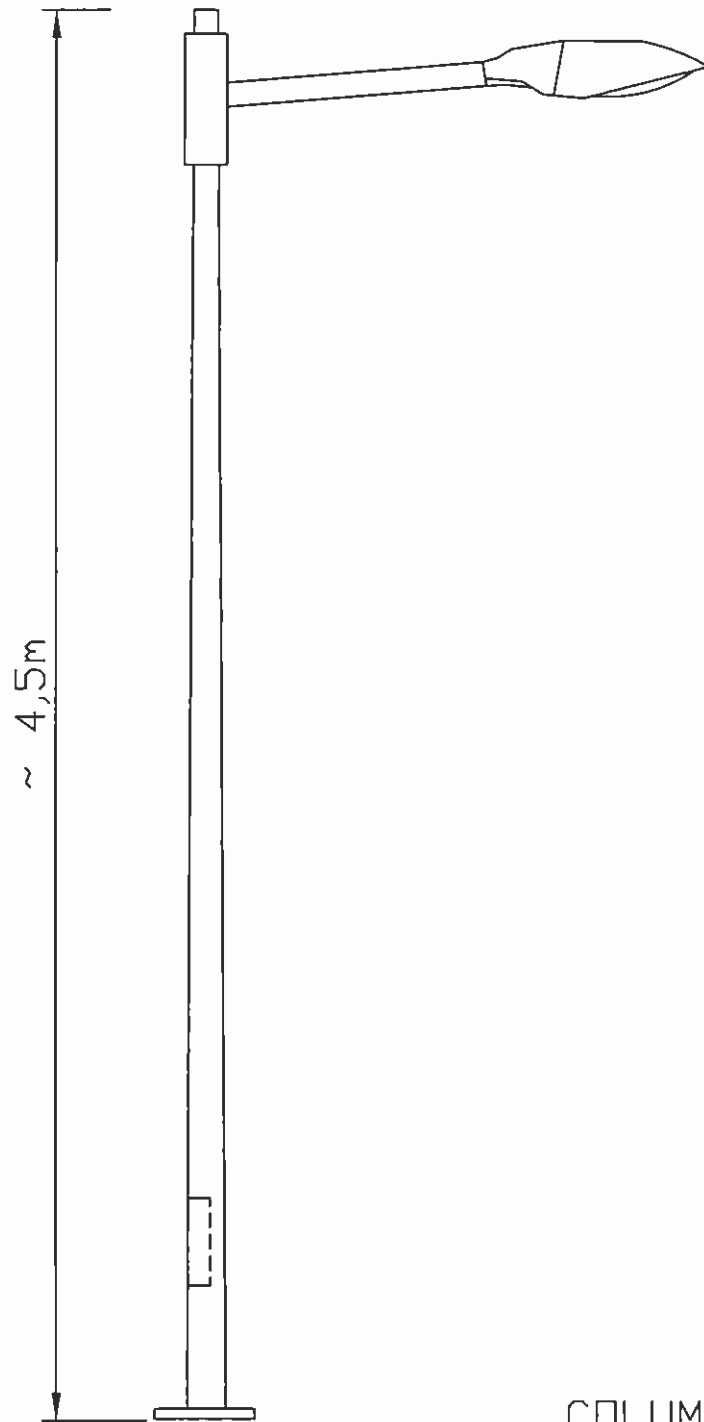
COLUMN TYPE "KГ & KE"
POST-TOP
(N.T.S.)

Drawing No 7



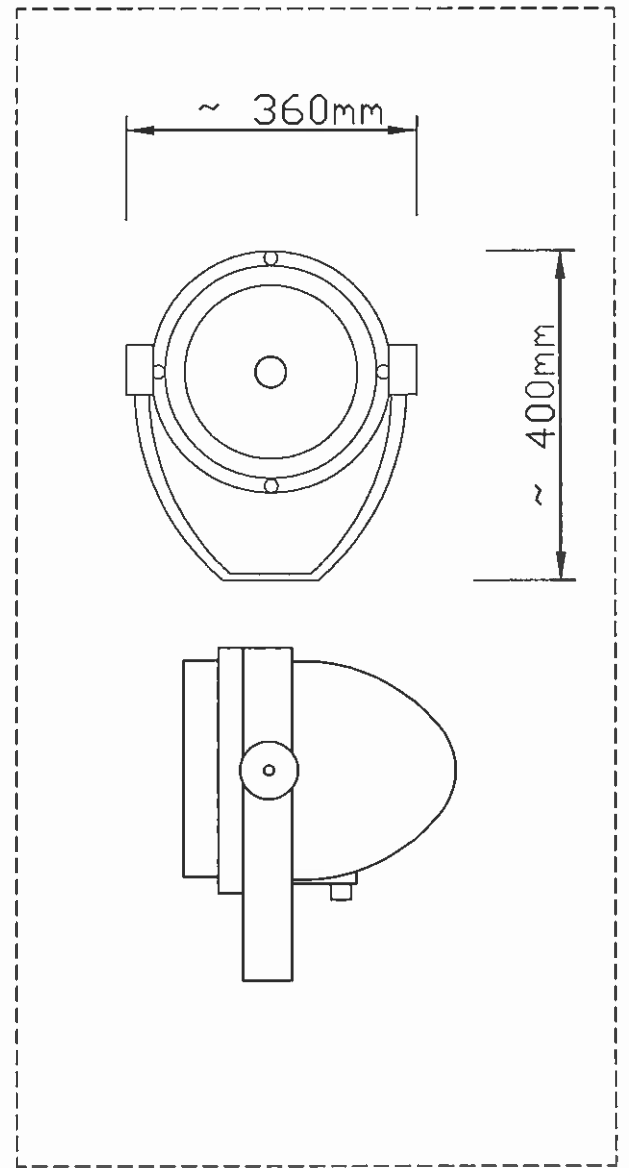
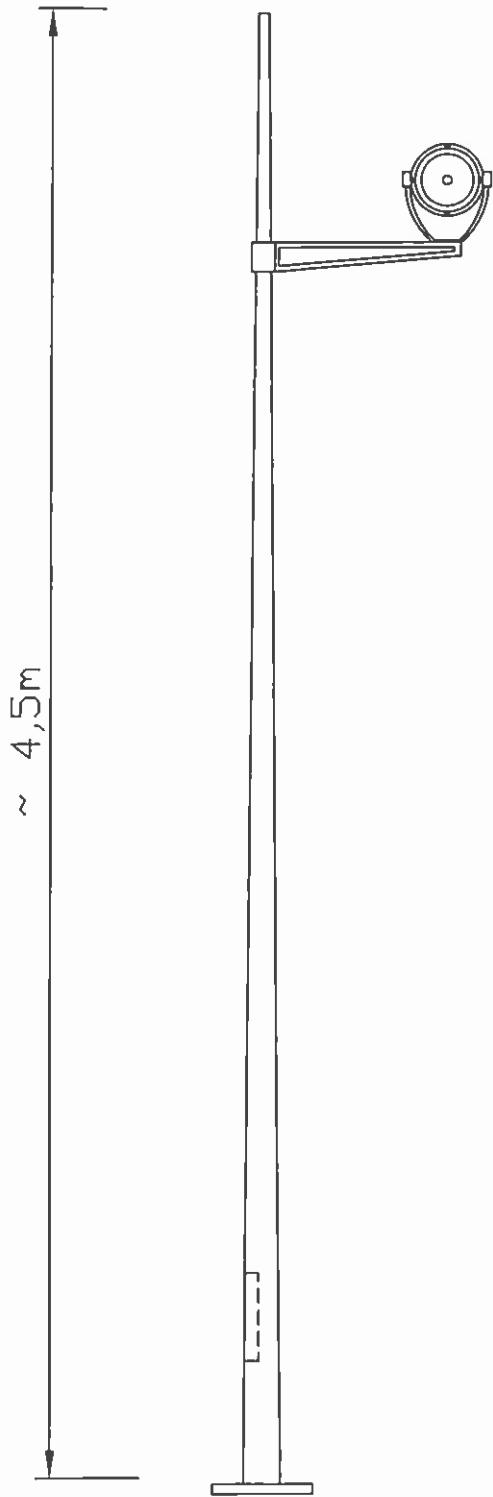
COLUMN TYPE "KA" (single)
(alternative 1)
(N.T.S.)

Drawing No 7



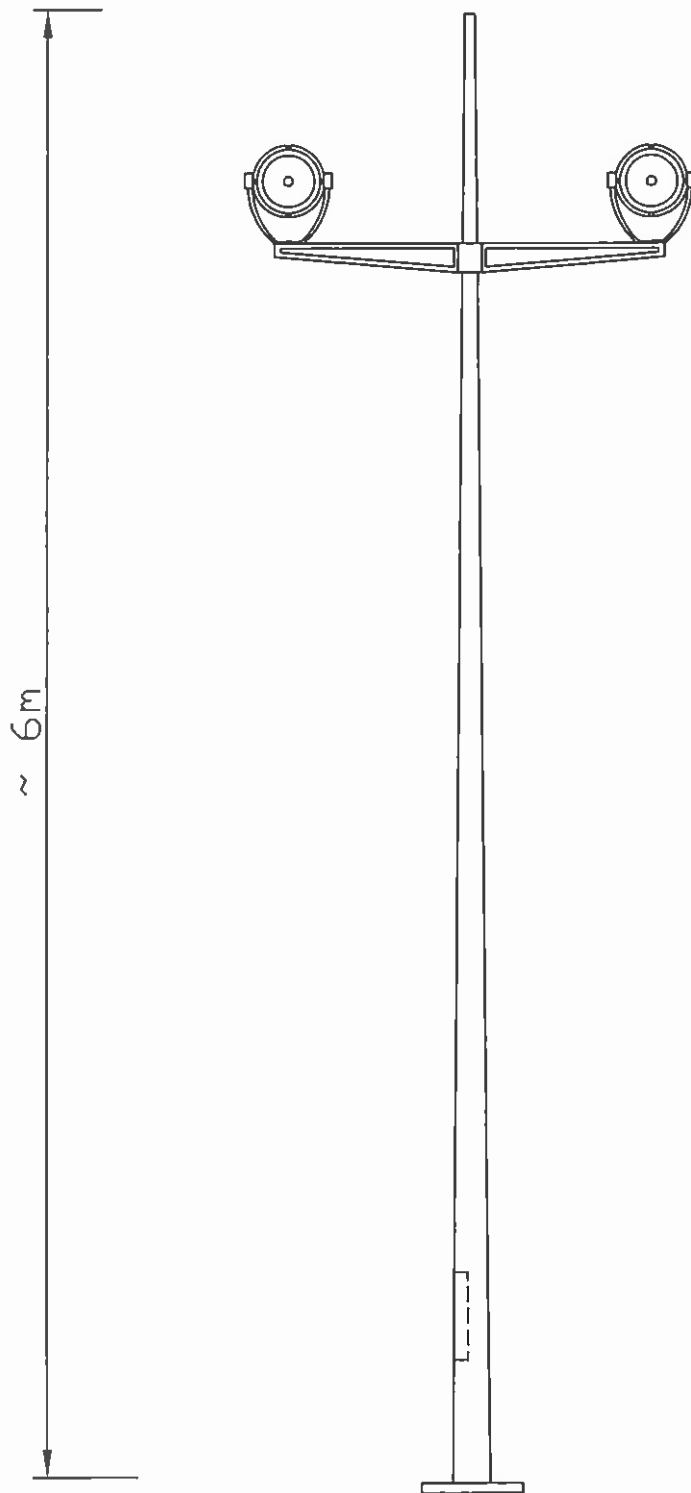
COLUMN TYPE "KA"
(alternative 2)
(N.T.S.)

Drawing No 8

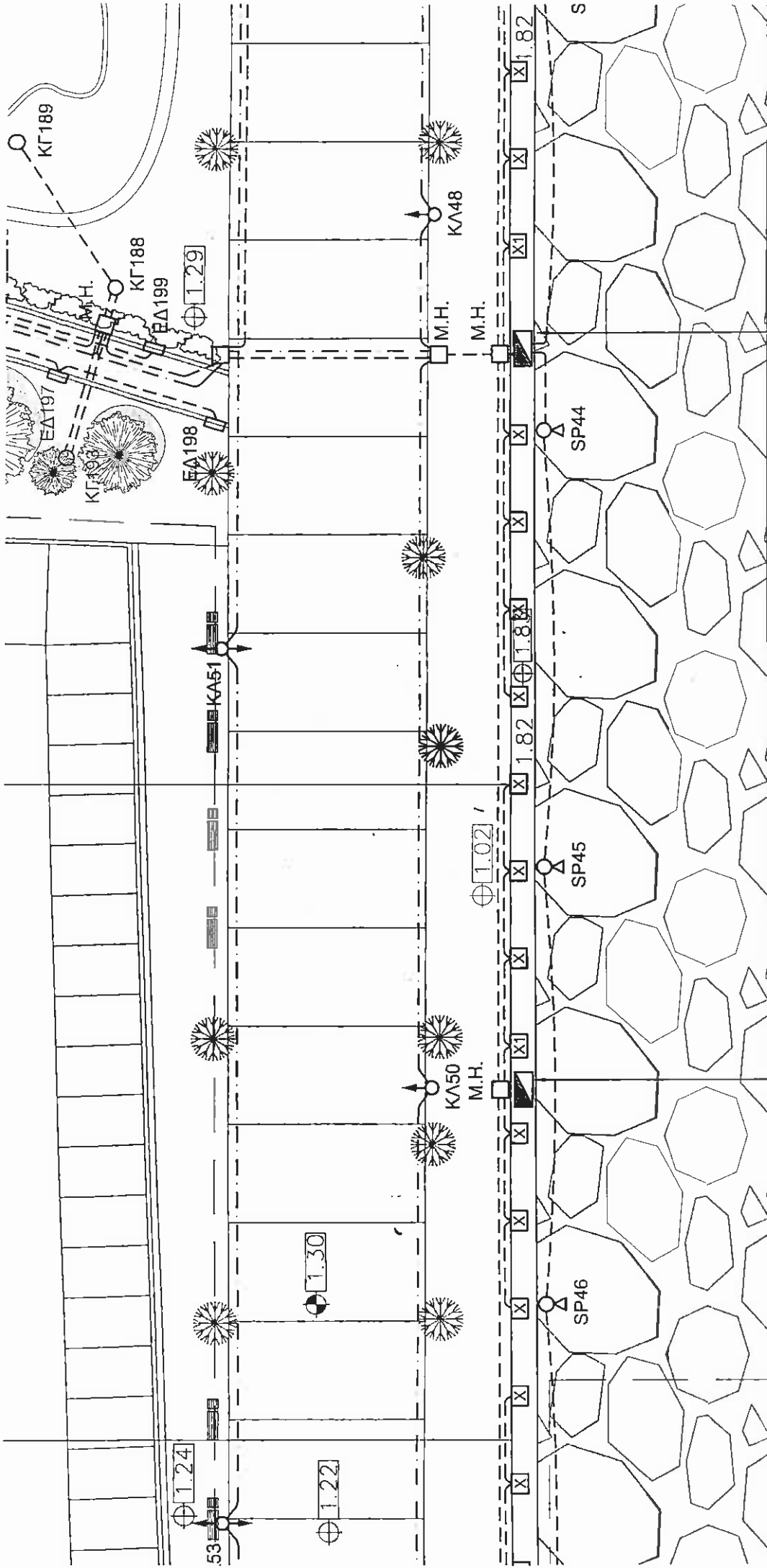


COLUMN TYPE "KFA" (single)
(N.T.S.)

Drawing No 9



COLUMN TYPE "ΣΚ & ΚΘ" (double)
(N.T.S.)



DB.1/1

(ΕΝΣΤΑΤΩΜΕΝΟΣ ΣΕ W/P
 ΚΟΤΤΙ ΠΟΤ ΚΛΕΙΔΩΝΕΙ (ALLEN KEY)
 ΣΤΟ ΚΡΙΠΙΔΩΜΑ (RECESSED)
 ΓΙΑ ΤΡΟΦΟΔΟΣΙΑ ΤΩΝ ΠΡΙΖΩΝ
 ΣΤΟ ΚΡΙΠΙΔΩΜΑ ΚΑΙ ΤΩΝ
 ΠΡΟΒΟΛΩΝ ΣΤΟΤΣ ΒΡΑΧΟΤΣ)
 ΝΑ ΓΙΝΕΙ ΤΡΤΠΑ ϕ56mm ΣΤΟ
 ΚΟΤΓΚΡΙΝΟ ΚΡΙΠΙΔΩΜΑ ΓΙΑ
 ΔΙΕΛΕΤΣΗ ΚΑΛΩΔΙΩΝ ΠΙΣΩ ΑΠΟ
 ΤΟΝ ΠΙΝΑΚΑ ΔΙΑΝΟΜΗΣ ΓΙΑ
 ΤΡΟΦΟΔΟΣΙΑ ΠΡΟΒΟΛΩΝ

DB.1/1/4

DRG No 10

Case 1

SCALE 1:250

ΚΑΛΩΔΙΟ Ο/Φ ΤΗΣ Α.Η.Κ.

⊕ [1.35]

DRG No 11

Case 2

SCALE 1:250

⊕ [1.37]

⊕ [1.32]

[0.96]

66/1

⊕ [0.81]

ΧΩΡΟΣ ΣΤΑΘΜΕΥΣΗΣ

2ø75mm
PVC YELLOW

⊕ [0.72]

TICKETING
M/C No.5

⊕ [0.88]

2 ΚΓ182

Δ183

ΚΓ181

930m

920m

910m

900m

890m

880m

870m

EA184

EA185

EA186

EA187

EA188

EA189

EA190

EA191

EA192

EA193

EA194

EA195

EA196

EA197

EA198

EA199

EA200

EA201

EA202

EA203

EA204

EA205

EA206

EA207

EA208

EA209

EA210

EA211

EA212

EA213

EA214

EA215

EA216

EA217

EA218

EA219

EA220

EA221

EA222

EA223

EA224

EA225

EA226

EA227

EA228

EA229

EA230

EA231

EA232

EA233

EA234

EA235

EA236

EA237

EA238

EA239

EA240

EA241

EA242

EA243

EA244

EA245

EA246

EA247

EA248

EA249

EA250

EA251

EA252

EA253

EA254

EA255

EA256

EA257

EA258

EA259

EA260

EA261

EA262

EA263

EA264

EA265

EA266

EA267

EA268

EA269

EA270

EA271

EA272

EA273

EA274

EA275

EA276

EA277

EA278

EA279

EA280

EA281

EA282

EA283

EA284

EA285

EA286

EA287

EA288

EA289

EA290

EA291

EA292

EA293

EA294

EA295

EA296

EA297

EA298

EA299

EA300

EA301

EA302

EA303

EA304

EA305

EA306

EA307

EA308

EA309

EA310

EA311

EA312

EA313

EA314

EA315

EA316

EA317

EA318

EA319

EA320

EA321

EA322

EA323

EA324

EA325

EA326

EA327

EA328

EA329

EA330

EA331

EA332

EA333

EA334

EA335

EA336

EA337

EA338

EA339

EA340

EA341

EA342

EA343

EA344

EA345

EA346

EA347

EA348

EA349

EA350

EA351

EA352

EA353

EA354

EA355

EA356

EA357

EA358

EA359

EA360

EA361

EA362

EA363

EA364

EA365

EA366

EA367

EA368

EA369

EA370

EA371

EA372

EA373

EA374

EA375

EA376

EA377

EA378

EA379

EA380

EA381

EA382

EA383

EA384

EA385

EA386

EA387

EA388

EA389

EA390

EA391

EA392

EA393

EA394

EA395

EA396

EA397

EA398

EA399

EA400

EA401

EA402

EA403

EA404

EA405

EA406

EA407

EA408

EA409

EA410

EA411

EA412

EA413

EA414

EA415

EA416

EA417

EA418

EA419

EA420

EA421

EA422

EA423

EA424

EA425

EA426

EA427

EA428

EA429

EA430

EA431

EA432

EA433

EA434

EA435

EA436

EA437

EA438

EA439

EA440

EA441

EA442

EA443

EA444

EA445

EA446

EA447

EA448

EA449

EA450

EA451

EA452

EA453

EA454

EA455

EA456

EA457

EA458

EA459

EA460

EA461

EA462

EA463

EA464

EA465

EA466

EA467

EA468

EA469

EA470

EA471

EA472

EA473

EA474

EA475

EA476

EA477

EA478

EA479

EA480

EA481

EA482

EA483

EA484

EA485

EA486

EA487

EA488

EA489

EA490

EA491

EA492

EA493

EA494

EA495

EA496

EA497

EA498

EA499

EA500

EA501

EA502

EA503

EA504

EA505

EA506

EA5